

SINGLE PHASE STATIC WATT HOUR METER

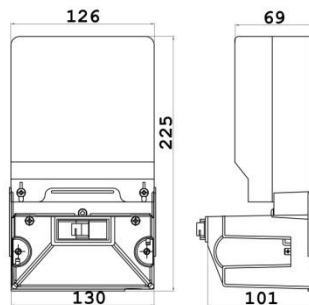
FA14AI2E-1 meter type is single phase static meter for active energy with register drum, Class 1.0, 230V, 5(40)A, 50 Hz, and equipped with two sensor

Equipped with 2 sensors, meter is able to detect tampering, base on SPLN D3.005-1:2008

When tamper or energy abuse occurs, the meter still measures normally and measures accurately according to class 1.0. The Yellow LED is indicator of tampering

PRIVILEGE:

- Easy to install
- Dual sensing
- The Tampering detection features
- Accuracy : Class 1.0
- Easy to read the total active energy on the register drum
- Standards SPLN D3.005-1:2008, IEC 62052-11:2003, IEC 62053-21:2003
- Can measure the harmonic



The Tampering Detection features :

- reversed wiring
- Leakage Current
- Short Circuit
- Current Injection
- Induction of the external magnetic field

TECHNICAL SPECIFICATION:

Brand	: FUJIDHARMA ELECTRIC	Sampling Rate	: 28 kHz
Type	: FA14AI2E-1	Base	: Polycarbonate
Class	: 1 (one)	Cover	: Transparent Polycarbonate
Standards	: SPLN D3.005-1:2008 ; IEC 62053-21:2003 ; IEC 62052-11: 2003	Terminal Cover	: Transparent Polycarbonate
Circuit System	: Single Phase Two Wire	Register	: Electromechanical 6 Digits with 1 decimal
Ref. Voltage	: 230V	Name Plate	: Combine with Barcode
Basic Current	: 5 A	Terminal Block	: Polycarbonate with Glass Fiber
Max. Current	: 40 A	Terminal Hole	: Ø 6 mm
Starting Current		Anti Tamper	: Comply to SPLN Requirement
at P.F. 1.0	: 0,02 A	Sensing	: 2
Ref. Frequency	: 50Hz	Base Plate	: Metal Sheet 2.0 mm
Ref. Temperature:	23 °C	Breaker Plate	: Polycarbonate 2.0 mm
Constants	: 3200 Impulse / kWh	Breaker Cover	: Polycarbonate 2.0 mm
		Weight of Meter	: ± 1.15 Kg.

Made in Indonesia

Produced by :

FDE FUJIDHARMA ELECTRIC
PT. FUJI DHARMA ELECTRIC

Jl. Rawagelam I/10 Kawasan Industri Pulogadung,
Jakarta – Indonesia 13930
Ph : 021-4600143 (Hunting) Fax : 021-4610338
email : admin@fujidharma.co.id

Contact Person :



003-FDE-Postpaid-2020